

THIRD ANGLE PROJECTION

DRAWN IN ACCORDANCE WITH BS 308

DRAWING No.
430452
FIRST USED ON
4000

ISS.

6
NOTES

4
ALL BURRS TO BE REMOVED

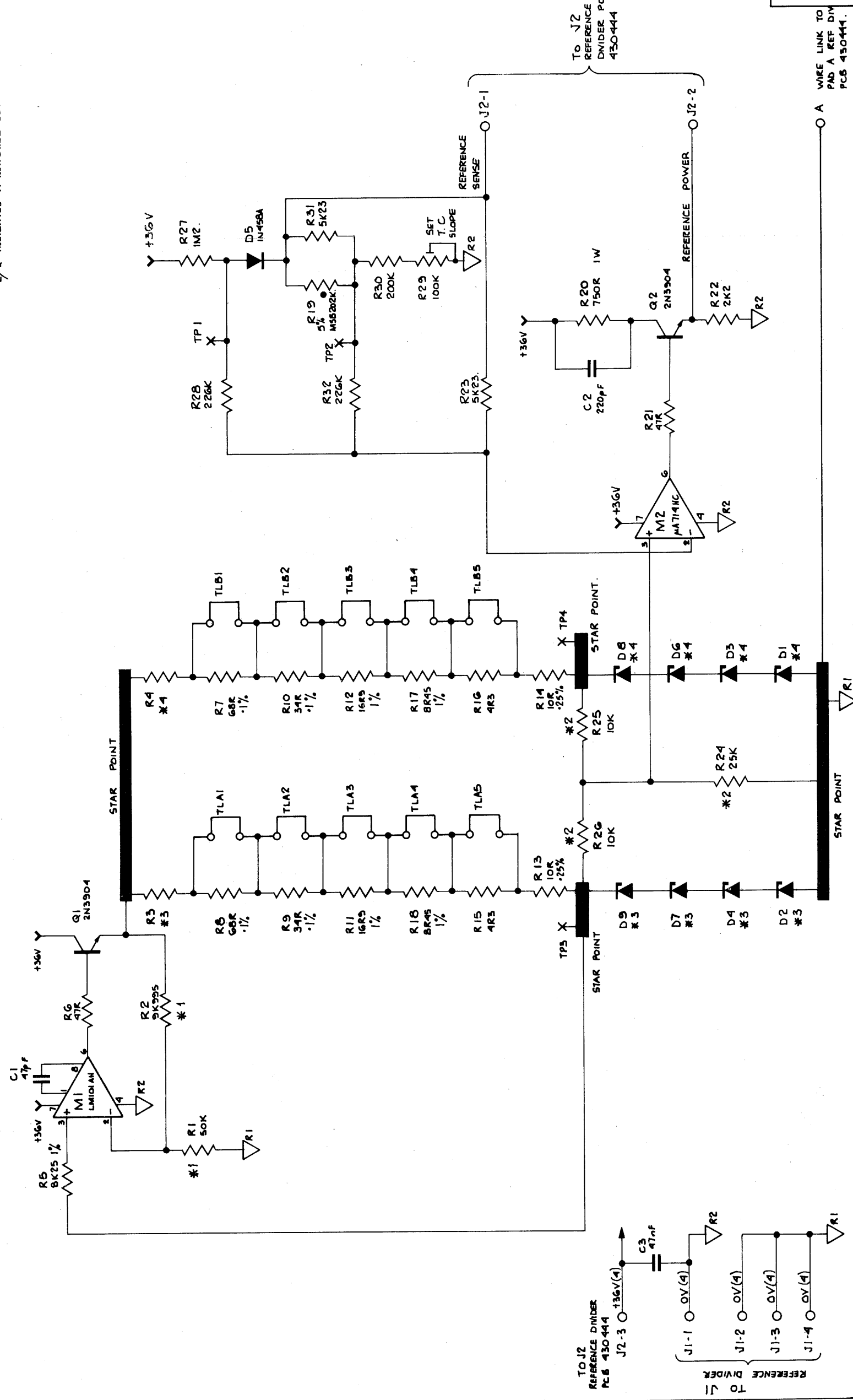
3

2
THIRD ANGLE PROJECTION

1
DRAWING No.
430452

R3 & R4 ARE SELECTED WITH THEIR DIODE SETS. PART OF KIT Z19015. VALUES ARE: 475, G11, 747 & 803 Ω. SEE DRAWING N° Z19015.
* INDICATES A MATCHED SET OF COMPONENTS.

1 RELEASED B1 22-MAR-82.
2 ECO 1445 B1 PCB ISSUE-G R23 WAS 5K1 R19, R27, R28, R29, R30, R31, R32 & D5. Added. IS-2-83 DESIGNATORS CHANGED FOR NEW PCB.



DATE	19th MAR 82	DRAWN	B. JACKSON
DATE	23rd MAR 82	CHECKED	R. K. COGGAN
DATE	24th MAR 82	APPR.	B. JAMES
DIMENSIONS IN MILLIMETRES	SCALE	DIMENSIONS IN MILLIMETRES	SCALE
DECIMAL TO 2 PLACES ± .1mm	NOT TO BE SCALED	DECIMAL TO 1 PLACE ± .2mm	NOT TO BE SCALED
WHOLE DIMENSIONS ± .4mm		ANGULAR ± 30'	
UNLESS OTHERWISE STATED		THIRD ANGLE PROJECTION	
MATERIAL	FINISH	ASSY DRG & PARTS LIST	400452
		CIRCUIT DIAGRAM	430452
		CHECK PROCEDURE	460452
		CHECK LIST	470452
TITLE	4000	REFERENCE PCB	

datron
ELECTRONICS LIMITED
NORWICH

DRAWING No. 430452
SHEET 1 OF 1

4951MT

DRAWING No.
400452
400452A
FIRST USED ON
4000/4000A

THIRD ANGLE PROJECTION

DRAWN IN ACCORDANCE WITH BS 308

4 ALL BURRS TO BE REMOVED

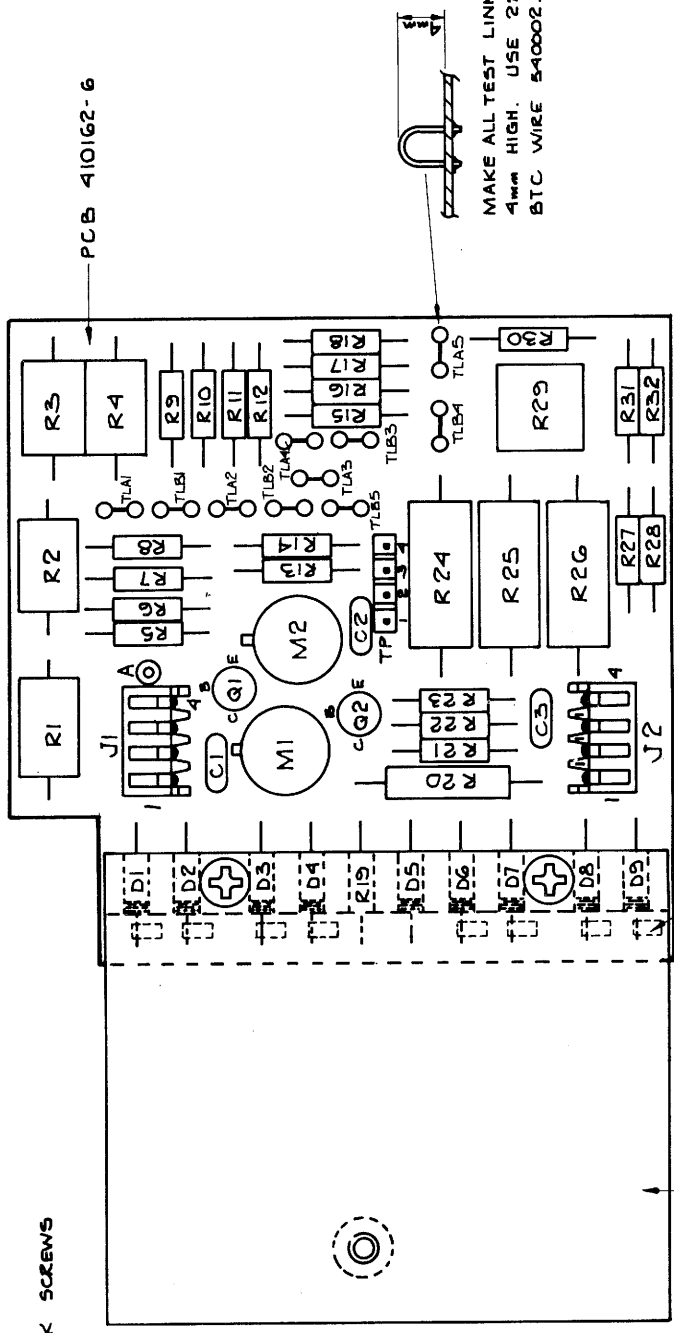
5 NOTES

6 ISS. CHANGES

- ZENER DIODE KIT 219015 FITTING INSTRUCTIONS.
- CARE MUST BE TAKEN THAT EACH DIODE IS FITTED TO ITS CORRECT POSITION ON THE BLOCK. DO NOT REMOVE DIODE SERIAL N^o LABELS. FIT DIODES TO THE CORRECT POSITION AS INDICATED ON THE RECORDED SHEET IF ANY COMPONENT IS LOST OR DAMAGED REFER TO QIA.
- FIT CONTENTS OF BAG 'A' TO D2, D1, D7, D9 & R3.
 - FIT CONTENTS OF BAG 'B' TO D1, D3, D6, D8 & R4.
 - FILL IN REFERENCE RECORD SHEET :-
 - ASSEMBLY SERIAL NO.
 - ASSEMBLY ISSUE NO.
 - ASSEMBLY DATE.
 - CUT TEST LINKS INDICATED ON THE RECORD SHEET.
 - THE RECORD SHEET MUST ACCOMPANY THE FINISHED ASSEMBLY.

2 OFF M3X6mm POZI-PAN SCREWS
G11004
2 OFF M3 WAYNE WASHERS.
G13029.

2 OFF M3X6mm POZI-CSK SCREWS
G11007.



MAKE ALL TEST LINKS
4mm HIGH. USE 22 SWG
BTC WIRE 540002.

HEATSINK BLOCK
450372.

HEATSINK PLATE
450373.

DIODE LABELS

WHEN ASSEMBLING DIODES INTO HEATSINK BLOCK APPLY A SMALL AMOUNT OF HEATSINK COMPOUND AROUND THE BODY OF EACH DIODE. ALSO APPLY HEATSINK COMPOUND BETWEEN THE BLOCK & THE PLATE. (HEATSINK COMPOUND 900005).



DRAWING No.
400452
400452A
SHEET 1 OF 5

TITLE
400452 (A)
430452 (A)
460452 (A)
470452 (A)

ASSY DRG & PARTS LIST
CIRCUIT DIAGRAM
CHECK PROCEDURE
CHECK LIST

MATERIAL
FINISH

TOLERANCES
DECIMAL TO 2 PLACES ± 0.1mm
DECIMAL TO PLACE ± 0.2mm
WHOLE DIMENSIONS ± 0.4mm
ANGULAR ± 30°
UNLESS OTHERWISE STATED
FIRST ANGLE PROJECTION

DRAWN	B. JACKSON	DATE	15th FEB 83	DIMENSIONS IN	MILLIMETRES
CHECKED	MJD	DATE	21.2.83	SCALE	2:1
APPR.		DATE		NOT TO BE SCALED	